

GÜÇLÜ BİR GELECEK İÇİN STRONGER FOR THE FUTURE



www.activent.com.tr



ACTIVENT®

ÜRÜN KATALOĞU
PRODUCT CATALOGUE

ISI GERİ KAZANIM CİHAZLARI HEAT RECOVERY DEVICES

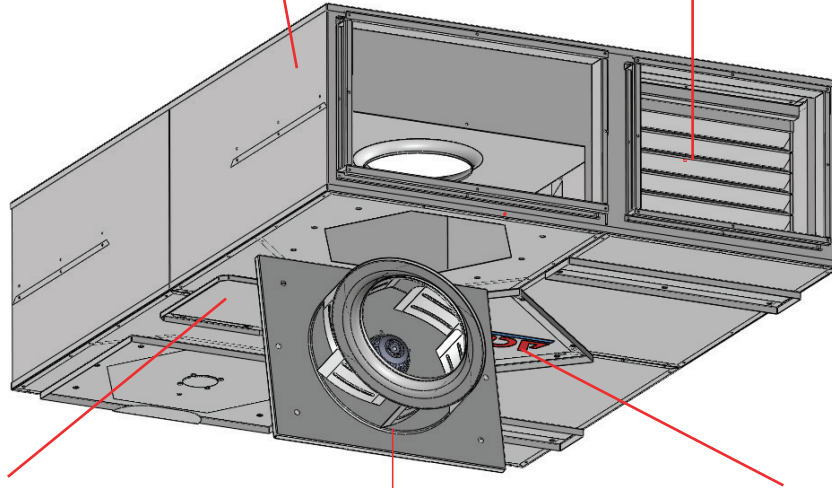


Body and Insulation

The body is covered with galvanized metal with high corrosion resistance. The inside of the device is insulated with a 10 mm polythene foam for sound and heat insulation

Filters

G4 class filters are used both for exhaust and fresh air to raise the indoor air quality and protecting the components inside the unit .



Control System

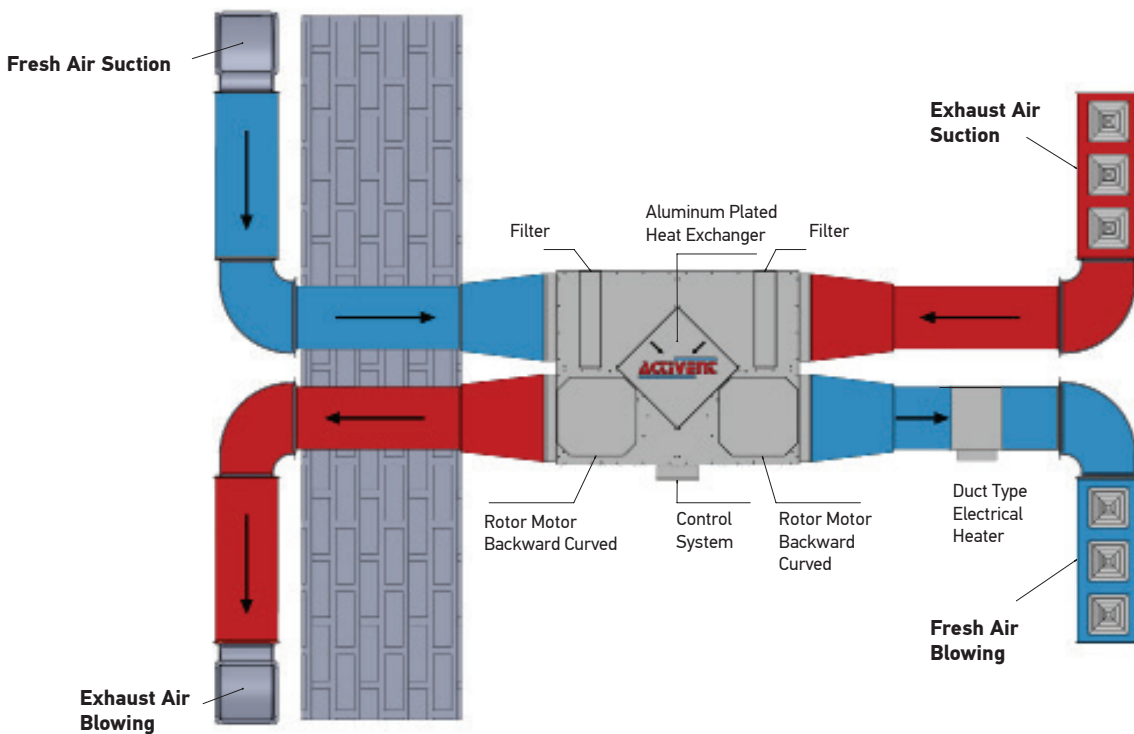
Control System has been developed to control all equipment, meet user demands and is made simple and easy to user. The equipment in the standard device and the optional accessories can be controlled by the system.

Fresh Air and Exhaust Air Rotor Motor

Backward curved plug fan is used in heat recovery units. The fan blades are of high aerodynamic efficiency. Since the fans are connected directly to the motor, belt-pulley problems are eliminated and maintenance costs are reduced with AC fans .

Aluminum Plated Heat Exchanger

IGKP Heat Recovery Units use an aluminum cross-flow plated heat recovery exchanger. Heat Recovery Exchanger consists of plates that have an improved surface area to ensure high efficiency and no leakage from the edges. With heat exchanger optimization, heat transfer efficiency is increased and pressure loss is reduced



2 ISI GERİ KAZANIM CİHAZLARI HEAT RECOVERY DEVICES



IGKP

ALÜMİNYUM EŞANJÖRLÜ, ÇAPRAZ AKIMLI,
PLUG FANLI ISI GERİ KAZANIM CİHAZLARI
WITH ALUMINUM EXCHANGER CROSS
CURRENT, PLUG FAN DUCT TYPE HEAT
RECOVERY DEVICES

IGKP her türlü tesisin konfor havalandırmasında kullanılabilen ısı geri kazanım cihazları ortam havasını egzost ederken bir yandan da ortama taze hava vermeye yarar. Dışarı atılan egzost havasının ısı enerjisinden faydalanarak taze havanın ön ısıtma / soğutma işlemi görmesini sağlar. Böylece ortam sıcaklığına negatif etki etmeyi engeller.

MALZEME

Gövdesi; Galvaniz sacdan üretilmiştir. İç yüzeyleri ısı ve akustik olarak izole sağlayan kauçuk esaslı malzeme ile kaplanmıştır. Plug fan kullanılmıştır. İçerisinde yüksek verimli ısı geri kazanım eşanjörü mevcuttur.

HIZ KONTROLÜ

Dijital kontrol paneli ile sağlanmaktadır.

KULLANIM ALANLARI

İş yerleri, ofisler, hastaneler, restoranlar, toplantı salonları vb.

IGKP for comfortable ventilation of all kinds of facilities heat recovery devices that can be used. While consuming ambient air, It serves to give fresh air. Using the heat energy of fresh air air preheating / cooling provides.

MATERIAL

Body; It is made of galvanized sheet. Internal surfaces are heat and sound insulated with rubber-based material closed. Plug fan is used. High efficiency heat recovery inside heat exchanger available.

SPEED CONTROL

It can be with the digital control panel.

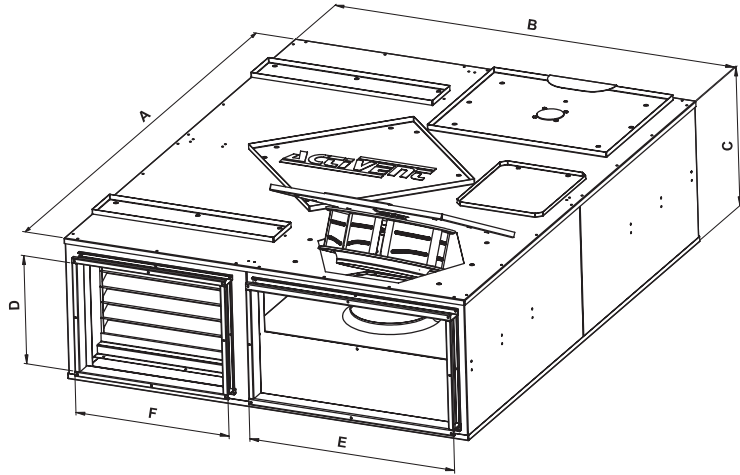
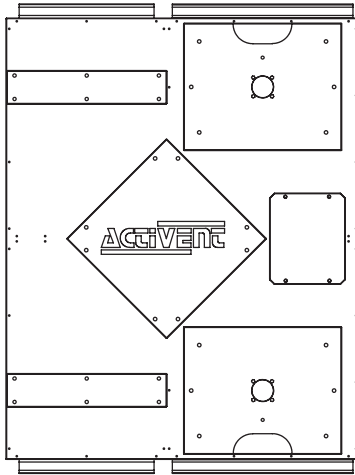
USAGE AREAS

Workplaces, offices, hospitals, restaurants, meeting rooms and gymnasiums, etc.

Tip/Kod Type/Code	Elektrik Motoru / Electrical Motor			Max. Debi Air Flow m ³ / h	Ses Desibeli Sound Pressure dB (A)
	Voltaj Voltage (V)	Güç Power (HP)	Devir Speed (d/d)		
	IGKP-07-M-2K	220	2x135		
IGKP-10-M-4K	220	2x210	1.400	1.000	46
IGKP-20-M-4K	220	2x400	1.375	2.000	46
IGKP-30-M-4K	220	2x430	1.380	3.000	48
IGKP-40-M-4K	220	2x600	1.335	4.000	49
IGKP-50-M-4K	220	2x630	1.340	5.000	54
IGKP-60-M-4K	220	2x1070	1.430	6.000	57

DEĞER TABLOSU / VALUE CHART (m³ / h & Pa)

Tip/Kod Type/Code	Hava Debileri (m ³ /h) / Air Flow (m ³ /h)									
	200 Pa	250 Pa	300 Pa	350 Pa	400 Pa	450 Pa	500 Pa	600 Pa	700 Pa	800 Pa
IGKP-07-M-2K	750	700	550	300						
IGKP-10-M-4K	1.000	900	800	500						
IGKP-20-M-4K	2.000	1.800	1.700	1.300	1.000	500				
IGKP-30-M-4K	3.000	2.800	2.500	2.100	1.700	1.200	600			
IGKP-40-M-4K	4.000	3.800	3.500	3.200	2.750	2.300	1.800	1.200	650	
IGKP-50-M-4K	5.000	4.800	4.550	4.000	3.500	3.000	2.200	1.500	800	
IGKP-60-M-4K	6.000	5.200	4.800	4.300	3.800	3.400	2.700	2.100	1.200	



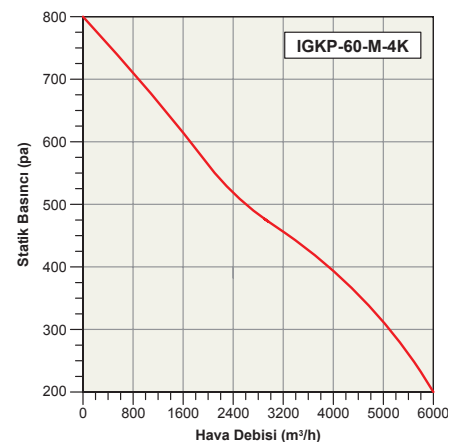
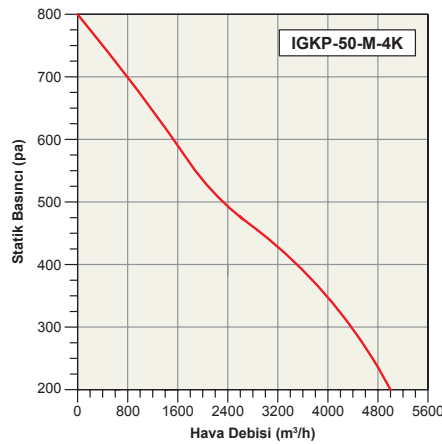
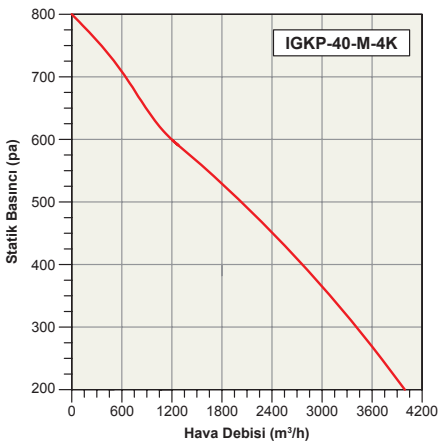
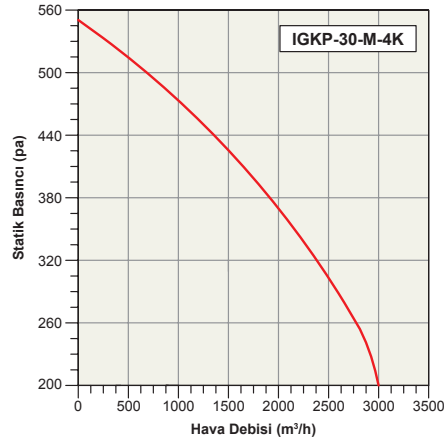
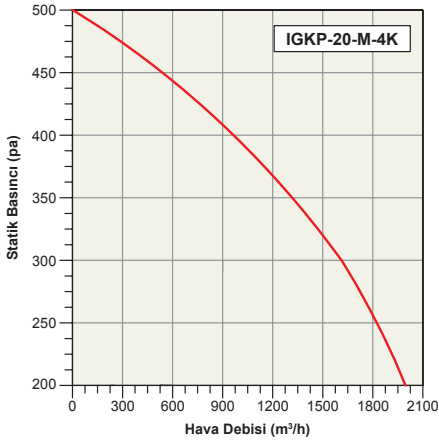
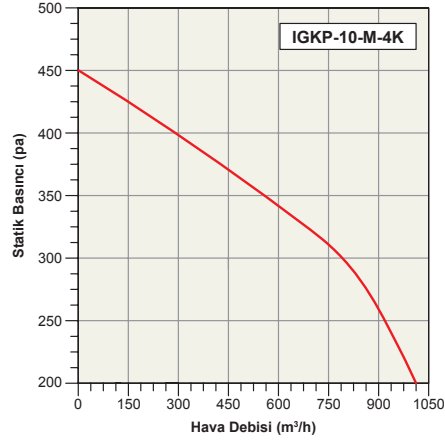
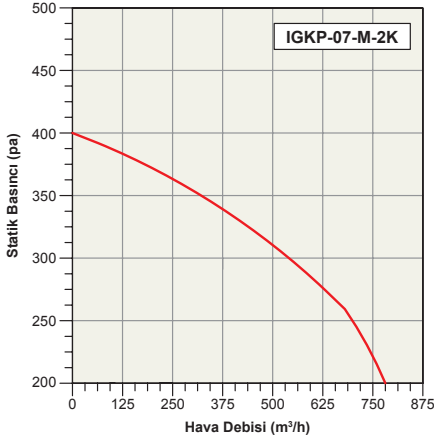
TEKNİK ÖLÇÜLER / TECHNICAL DIMENSION

Tip/Kod Type/Code	Ölçüler / Sizes (mm)				
	A	B	C	FxD	ExD
IGKP-07-M-2K	1.100	900	315	200x220	460x220
IGKP-10-M-4K	1.200	1.000	365	350x270	465x270
IGKP-20-M-4K	1.500	1.200	415	400x350	555x350
IGKP-30-M-4K	1.700	1.200	475	400x380	555x380
IGKP-40-M-4K	1.800	1.300	515	400x420	635x420
IGKP-50-M-4K	2.000	1.460	520	400x450	865x450
IGKP-60-M-4K	2.000	1.460	695	400x520	705x520

2 ISI GERİ KAZANIM CİHAZLARI HEAT RECOVERY DEVICES



TEKNİK ÖLÇÜLER / TECHNICAL DIMENSION



ACTIVENT®

Halkalı Merkez Mahallesi
Şehit Yılmaz Özdemir Caddesi
Sanayi Sokak No: 4
Küçükçekmece, İstanbul, Türkiye

P: +90.212 698 02 25

P: +90.212 698 02 26

P: +90.212 565 73 03

info@activent.com.tr

www.activent.com.tr

